

NAME	DATE
DESIGNED BY	
CHECKED BY	TLN 12-29-08
RECORD DWG.	

0403: 02547.DWG 05-21-02

NO.	DATE	REVISION

Signature L.S.#
Land Surveyor's Seal

Signature P.E.#
Professional Engineer's Seal

PLANS PREPARED AND SUBMITTED BY:
Elizabeth Niemann & Associates, Inc.
Civil Engineering Consultants

CONSTRUCTED BY:
Company Name
Date

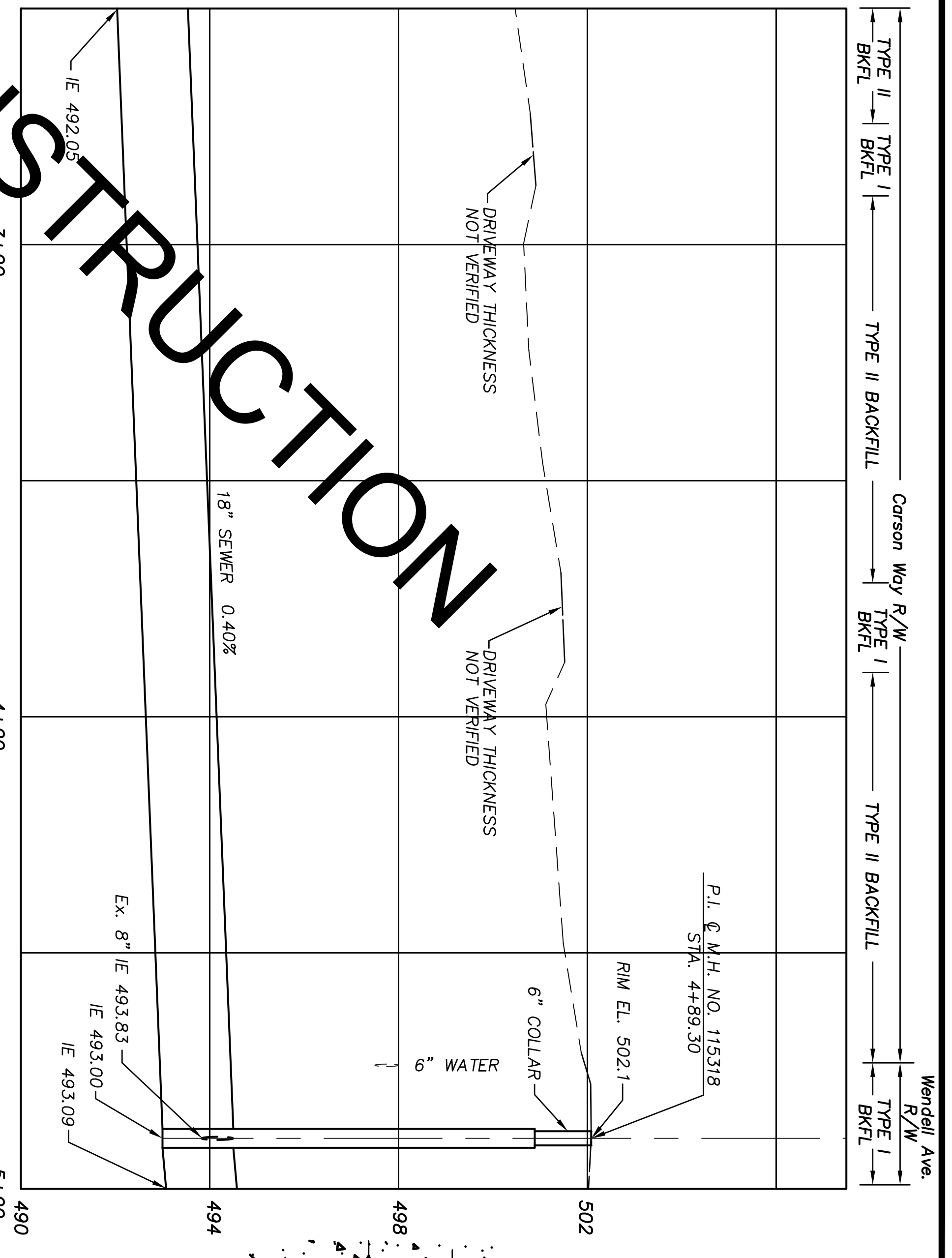
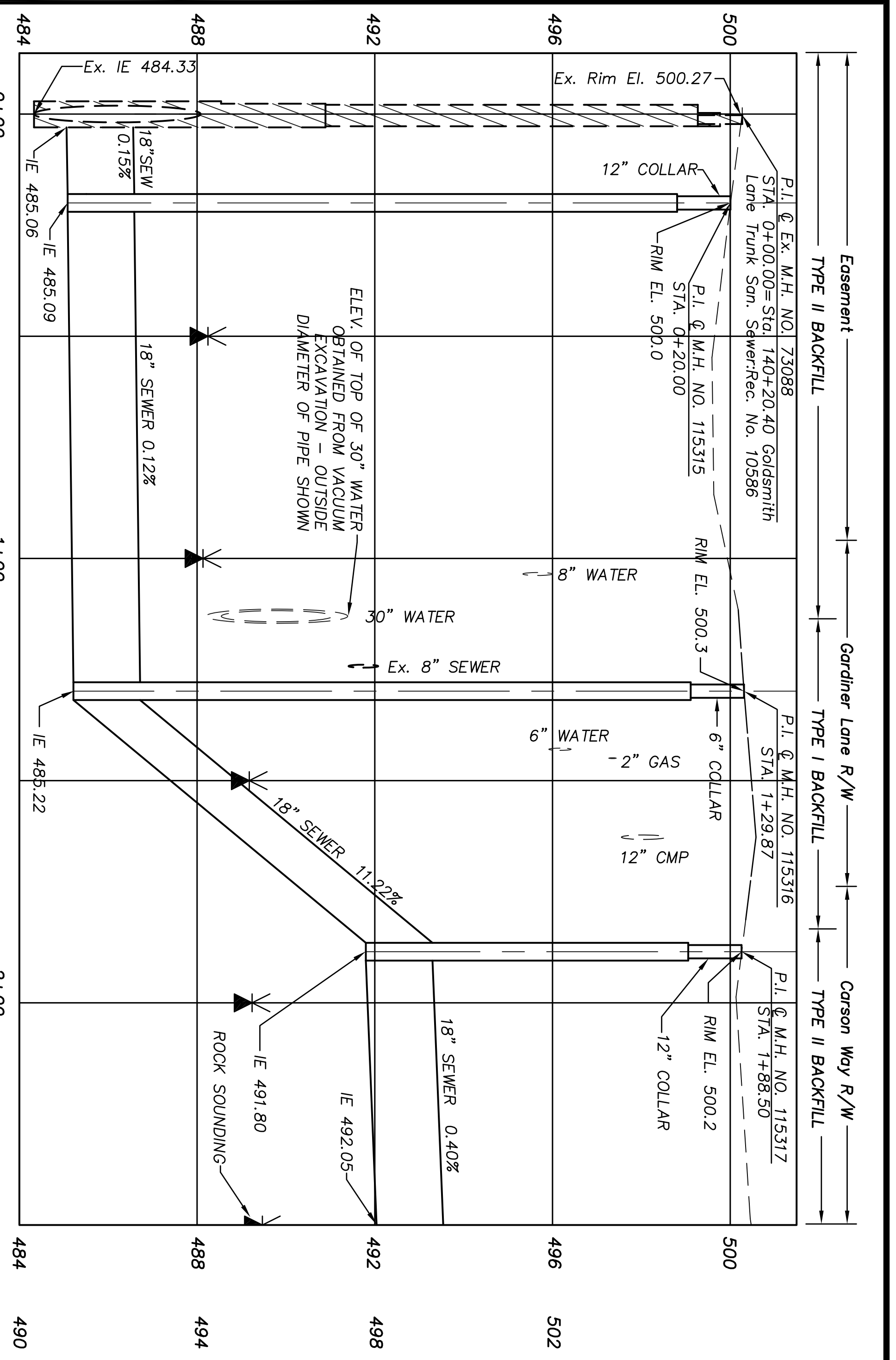
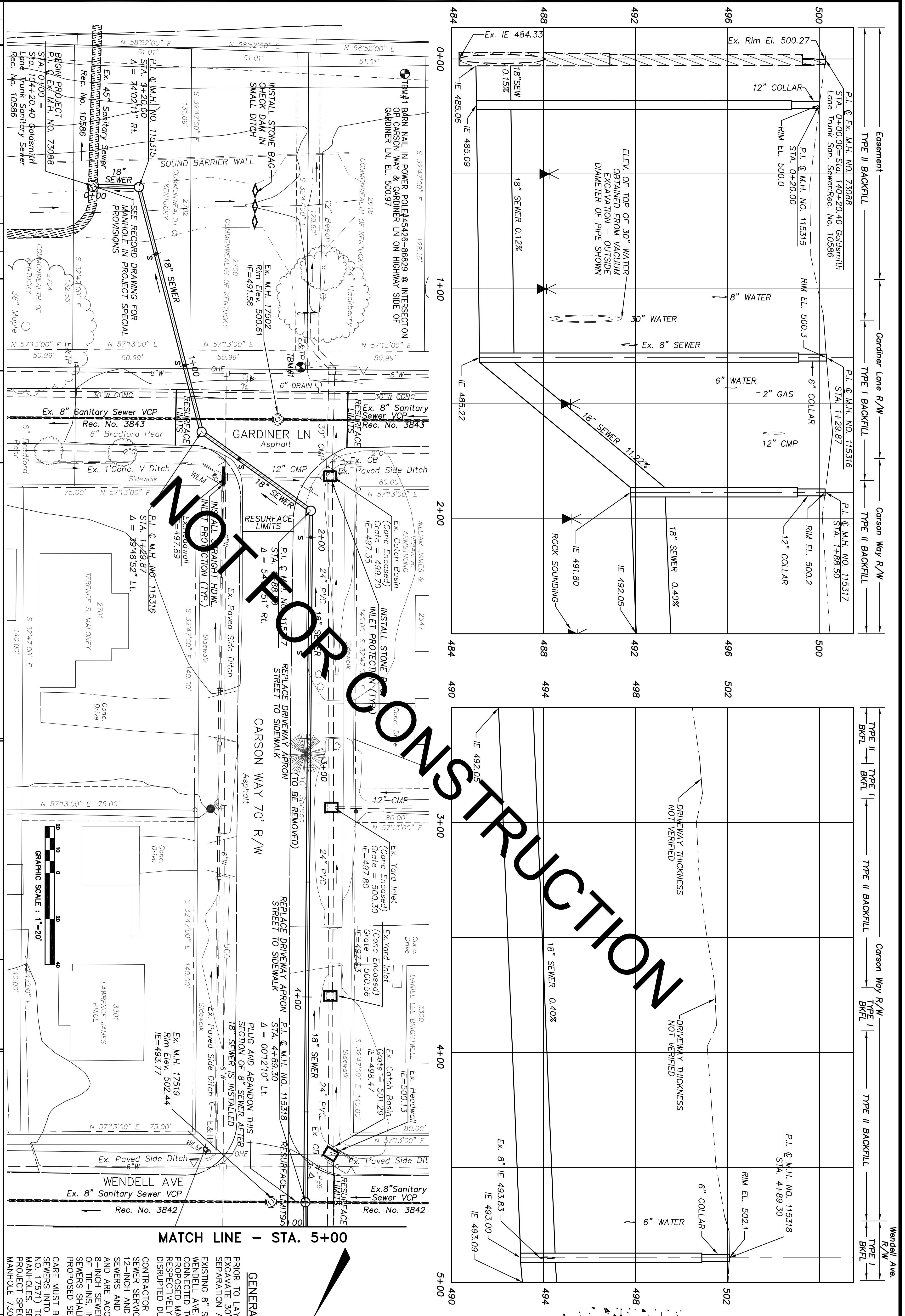
FINAL RECORD DRAWING BY:
Company Name
Date

APPROVED FOR CONSTRUCTION:
DIRECTOR OF ENGINEERING
DATE

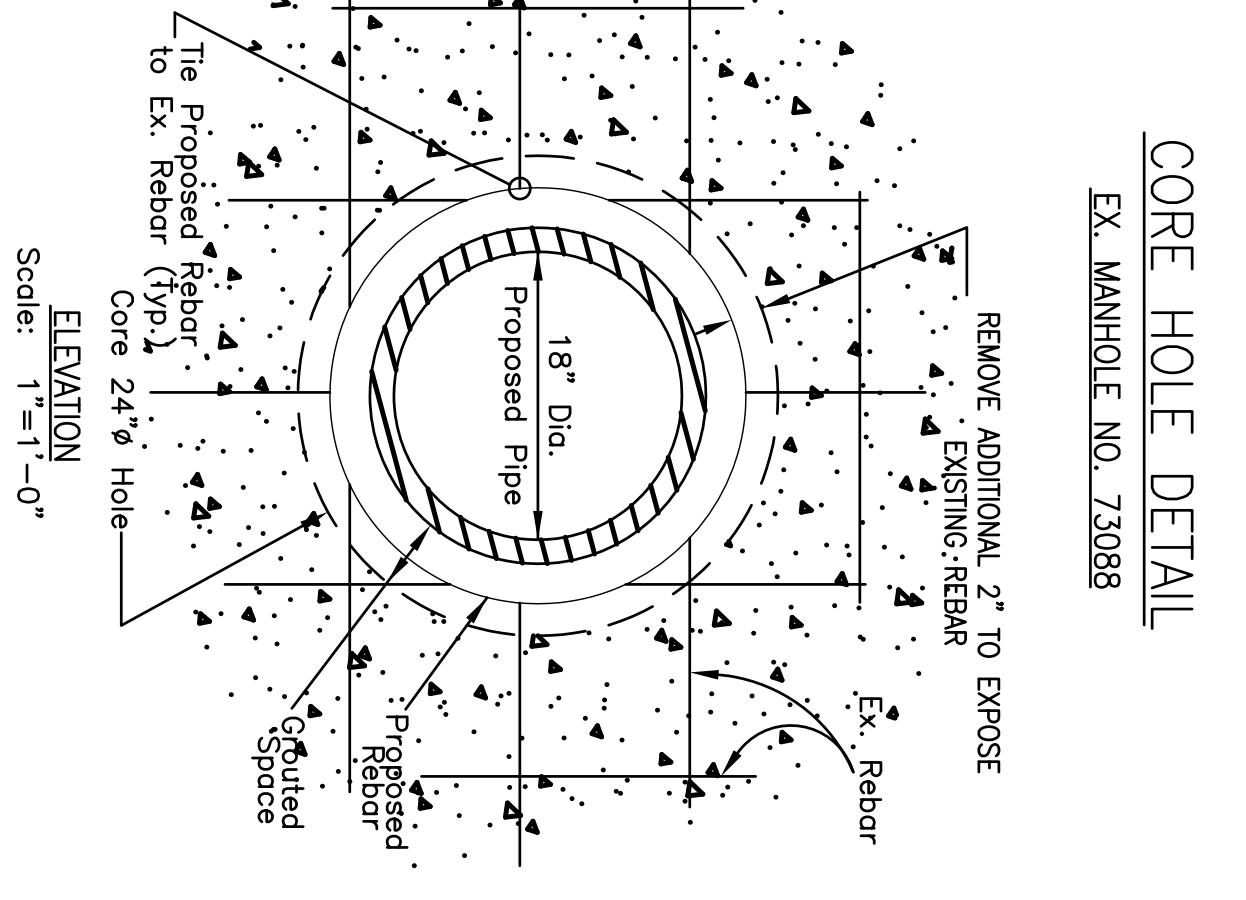
MSD
Louisville and Jefferson County
Metropolitan Sewer District
40203-1913
175 S. Limestone, Ky.

CARSON-RIBBLE
SSO MITIGATION
SANITARY SEWERS
PLAN AND PROFILE SHEET
STA. 0+00-STA. 5+00

SCALE: 1"=20' H. & 1"=2' V. DATE: 3-31-09
RECORD NO. 15462
SHEET 2 OF 3



Manhole Coordinates	Manhole Number	Northing	Eastng
	115315	264614.53	1235626.83
	115316	264691.45	1235548.38
	115317	264696.17	1235489.94
	115318	264954.73	1235336.23



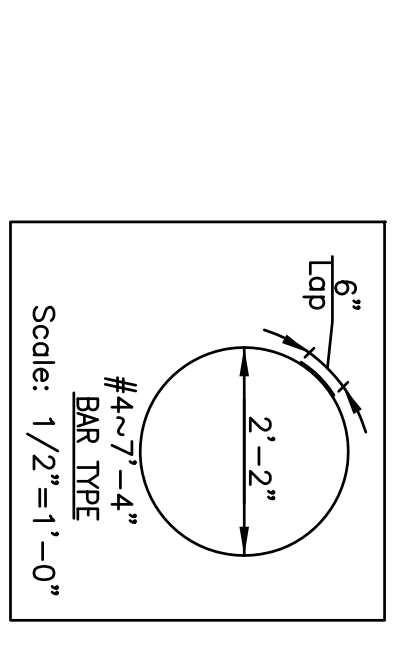
GENERAL NOTES

PRIOR TO LAYING PIPE FROM STA. 0+00 TO STA. 1+29.87; EXCAVATE 30" WATER MAIN TO DETERMINE EXACT VERTICAL SEPARATION AT CROSSING (APPROX. STA. 1+13)

EXISTING 8" SANITARY SEWERS ALONG ALANWEE RD. AND WENDELL AVE., WEST OF THE PROPOSED SEWER, SHALL BE CONNECTED TO THE PROPOSED SANITARY SEWER SYSTEM AT RESPECTIVELY: SANITARY SEWER SERVICE SHALL NOT BE INTERRUPTED DURING CONSTRUCTION.

CONTRACTOR SHALL SUBMIT PLAN FOR MAINTAINING EXISTING SEWER SERVICE DURING CONSTRUCTION OF THE PROPOSED 12-INCH AND 18-INCH SEWERS. AS SOON AS THE PROPOSED SEWERS AND CONNECTIONS HAVE BEEN INSPECTED AND TESTED AND ARE ACCEPTABLE FOR SERVICE, THE-INS FOR THE EXISTING 8-INCH SEWERS MAY BE CONSTRUCTED, FOLLOWING COMPLETION OF THE-INS, INSPECTION AND TESTING. THE EXISTING 8-INCH SEWERS SHALL BE PLUGGED AND ABANDONED, EAST OF THE PROPOSED SEWER, PER THE PLAN.

CARE MUST BE TAKEN WHEN CONNECTING THE PROPOSED SEWERS INTO THE EXISTING MANHOLES (NO. 73088 AND NO. 17571) TO INSURE THE STRUCTURAL INTEGRITY OF THESE MANHOLES. SEE RECORD DRAWING FOR MANHOLE NO. 73088 IN PROJECT SPECIAL PROVISIONS. DETAIL FOR CONNECTION INTO MANHOLE 73088 SHOWN ABOVE (CORE HOLE DETAIL).



Jobc: Toombs and Long
JOB No. 0794-01-08-09